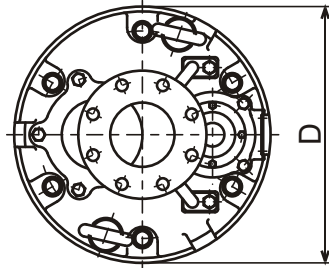
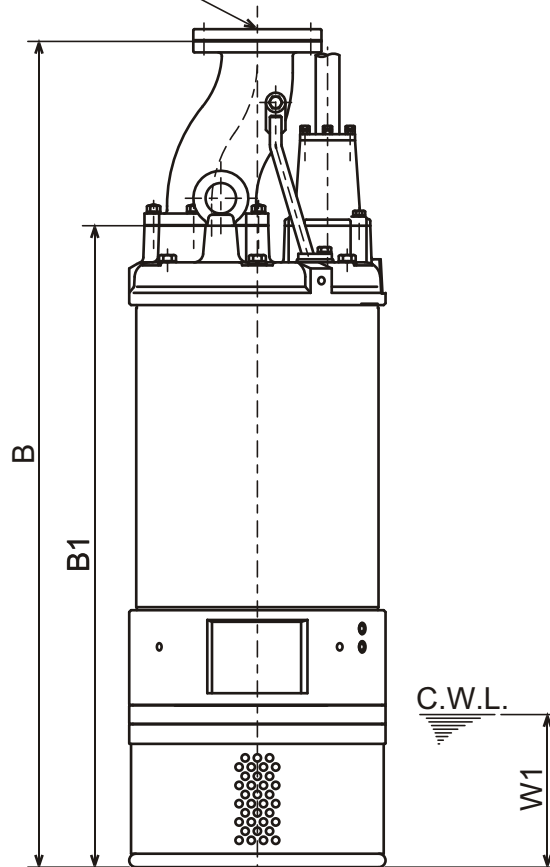


**LH422-61  
LH430-61**



4" JIS10K (150PSI) Flange  
with  
4" NPT Companion Flange



C.W.L. : Continuous running Water Level

**DIMENSIONS:USCS (Inch)**

Model	HP	NOM. SIZE	Pump & Motor			C.W.L.	Wt. (lbs.)
			B	B1	D	W1	
LH422-61	30	4"	53 1/4	41 3/8	16 9/16	9 7/8	770
LH430-61	40	4"	53 1/4	41 3/8	16 9/16	9 7/8	780

**DIMENSIONS:METRIC (mm)**

Model	kW	NOM. SIZE	Pump & Motor			C.W.L.	Wt. (kg)
			B	B1	D	W1	
LH422-61	22	100	1352	1051	420	250	350
LH430-61	30	100	1352	1051	420	250	355